

PAY WINDOWS



Secure transfers of documents and other items for a safer welcome

Each product in the range is designed to facilitate communication without the need for an intercom, while protecting personnel from germs and physical attacks. These pay windows provide protection against vandalism and are bullet-proof up to level BR4S (in accordance with the EN 1063 standard). They can be installed either indoors or outdoors (in a sheltered area), incorporated into a pane or a concrete wall.

This model has a large window pane and is designed to protect personnel from physical attacks and weapons attacks. BR4S / SG1S level ballistic protection in accordance with the EN 1063 standard. The Profilbal includes pay window sections so people can communicate between two areas without having to install an intercom. (not fitted with a vibrating membrane for protection against germs). This product is compatible with the various document handlers, coin-handling systems and packet-windows in the range.

PROFILBAL

Reference:
A74024 Profilbal



BR4S



DO YOU KNOW?



Other models in the Pay window range

- Duetto Parabal (BR4 level ballistic protection)
- Parabal (BR4 level ballistic protection)
- Duetto without transfer flap (vandalism proof)
- Duetto with transfer flap (vandalism proof)

Specifications

Profilbal

- Aluminium profile frame, colour: Anodic Natura
- 1 straight pane, bullet-proof to level BR4S / SG1S
- Delivered assembled with screw and fastening kit.
- Use: indoors or outdoors (sheltered)
- Resistance: bullet-proof to level BR4S (pane), in accordance with the EN 1063 standard

Installation

This pay window can be installed in:

- glass or solid facades up to 32-mm thick – check whether any optional rabbets are required
- concrete walls. Non-pre-drilled mounting points
- mixed-material facades (concrete + aluminium or steel frame) – check whether any optional rabbets are required

Applications

- Embassies
- Reception desks
- Public authorities

Advantages

- Excellent acoustics
- Provides protection against physical attacks and is bullet-proof
- Avoids the need for an intercom
- Quick and easy to install
- Requires very little maintenance

Options

- 3-sided rabbet

Dimensions

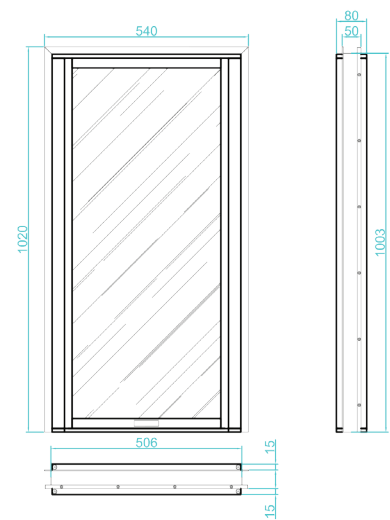
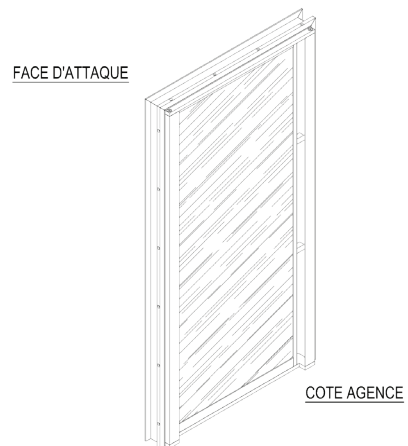
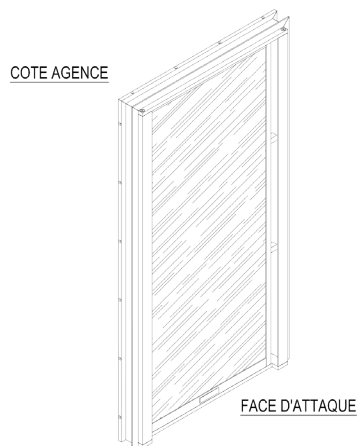
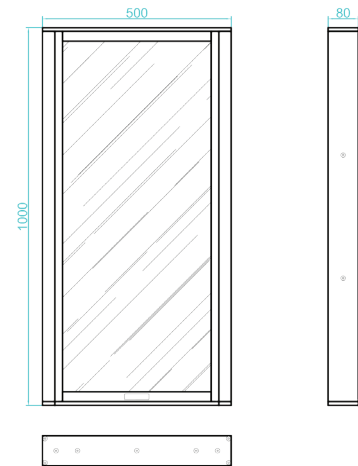
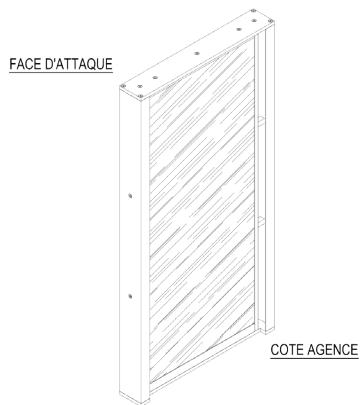
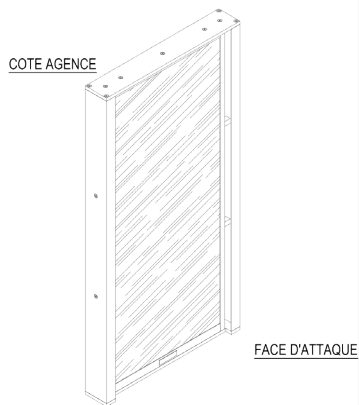
Dimensions (mm)	Profilbal	
	Overall	Optional 3-sided rabbet mounting
Height	1000	1020
Width	500	540
Depth	80	80
Weight (kg)	42	
Size of area to be reserved in glass pane (H x L)	For panel mounting: 1005 x 505 mm For rabbet mounting: 1008 x 511 mm	

Packaging

	Profilbal
Weight of packaging + device	43,5 kg
Packaging dimensions	1100 x 250 x 700 mm
Type of packaging	Box + polystyrene foam

Technical specifications

Profilbal A74024





www.hygiaphone.fr

