

# SLIDING DOCUMENT- / PACKET-HANDLING SYSTEMS



## Secure transfers of documents and other items for a safer welcome

Document- / packet-handlers are integrated into work surfaces and provide the means to transfer documents, tickets, envelopes and packets between a secure area and an exterior area used by the general public. These document-handlers are available in various dimensions and depths and enable larger items to be passed from one side to the other. Because of the way in which they are designed, they offer protection against vandalism, while other models are bullet-proof up to FB7 class, in accordance with the EN1522 standard. If required, certain models can be rendered fire-resistant.

These models can be used to transfer documents, notes and packets to a secure area and are designed to protect personnel against weapons attacks. FB4 ballistic protection in accordance with the EN1522 standard. Model 20 is available in 3 depths (100/200/400mm) and can be used for larger-volume packets.

## MODELS 20 – 100 / 200 / 400 / FIRE- WALL 60

### Reference:

A30209 Model 20 – 100

A30372A Model 20 – 200

A30374A Model 20 – 400

A30442 Model 20 CF60 A30466

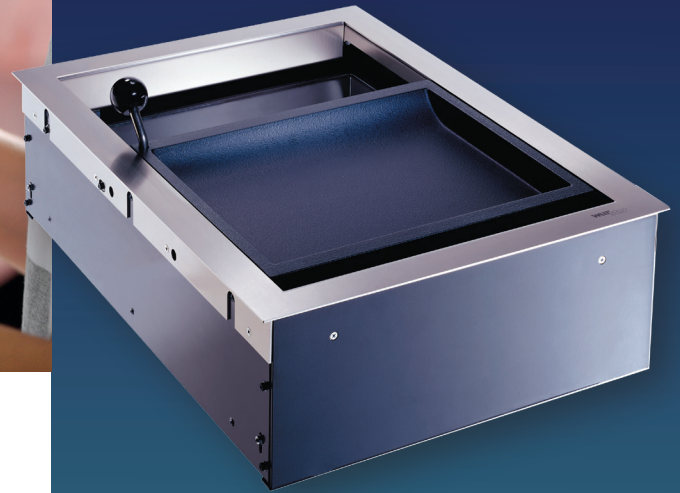
Model 20 FB7



FB4-FB7



CF60



## DO YOU KNOW?



### Other models in the sliding document- / packet-handler range

- PMS IDF (vandalism proof)
- Sepac P52 / P140 (vandalism proof)
- Model 30 (vandalism proof, FB4 / FB6 bullet-proof)

# MODELS 20 – 100 / 200 / 400 / FIRE- WALL 60 / FB7

## Specifications

### Models 20-100 / 20-200 / 20-400 FB4

- Sliding tray for transferring documents or small objects up to 30 mm high
- Sliding drawer (available in 3 different depths) for transferring packets up to 400 mm high, depending on the model selected
- Brushed stainless steel frame
- The tray and the compartment are lacquered brown-black, RAL 8022
- Use: indoor
- Model 20-100 certified bullet-proof to level FB4 with the EN 1522
- Product's compatibility: Duo 03 intercom

### Model 20 CF60

- For transfer documents maximum size W360 x D205 x H100 mm
- This model does not have a top tray for document holder
- Use: indoor
- Fire resistance CF60

### Model 20 FB7

- For transfer of A4 size documents up to 30 mm high
- Brushed stainless steel frame
- Flat tray finished with polyurethane foam and a black-brown coating
- Use: indoor
- Certified bullet-proof FB7 according to EN 1522 standard

## Operation

- A knob is used to manually slide the upper tray back and forth.
- This compartment is automatically locked in place as soon as it reaches its end stop on either the customer or employee side.
- Can be unlocked by actioning the knob.
- The lower drawer automatically slides in the opposite direction to the upper plate.

## Installation

These sliding document- / packet-handlers can be recessed into a reception desk or ticket exchange desk counter top:

- allow for the front section to be removed on the interior side for any maintenance operations
- can be surface-mounted or recessed

## Servicing / Maintenance

This product requires no servicing, maintenance or lubrication.

### Applications

- Metro stations
- Foreign exchange desks
- Railway stations
- Motorway toll gates
- Casinos

### Advantages

- Automatic locking of the sliding plates
- Ballistic protection and firewall
- Packets can be passed through
- Aesthetic and finish
- Quick and easy to install

# MODELS 20 – 100 / 200 / 400 / FIRE- WALL 60 / FB7

## Dimensions

Dimensions (mm)	Model 20-100		Model 20-200		Model 20-400		Model 20 CF60		Model 20 FB7	
	Overall	Body	Overall	Body	Overall	Body	Overall	Body	Overall	Body
Height	174	172	276	274	476	474	220	218	185	171
Width	450	430	450	430	450	430	490	470	530	514
Depth	600	588	600	588	600	588	648	628	840	816
Weight (kg)	30		40		50		30		170	
Size of area to be reserved	Cut-out in the facade (H x W): 438 x 592 mm						Cut-out in the facade (H x W): 475 x 632 mm		Cut-out in the facade (H x W): 518 x 820 mm	

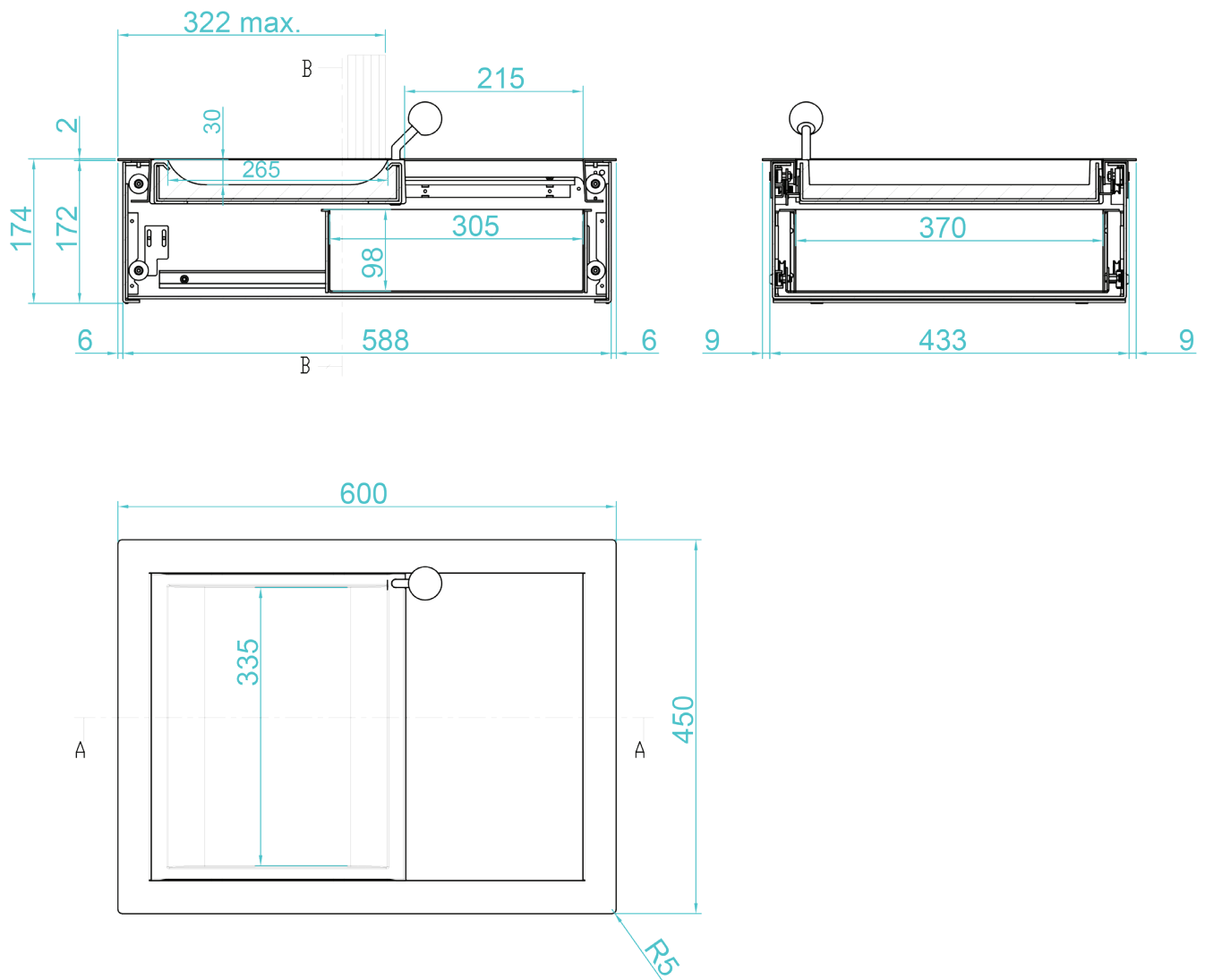
## Packaging

	20-100	20-200	20-400	20 CF60	20 FB7
Weight of packaging + device	40 kg	50 kg	60 kg	60 kg	170 kg
Packaging dimensions	710 x 540 x 400 mm	710 x 540 x 500	710 x 540 x 700 mm	710 x 540 x 400 mm	1200 x 800 x 400
Packaging support	Palette jetable				Euro-pallet

# MODELS 20 – 100 / 200 / 400 / FIRE- WALL 60 / FB7

## Technical specifications

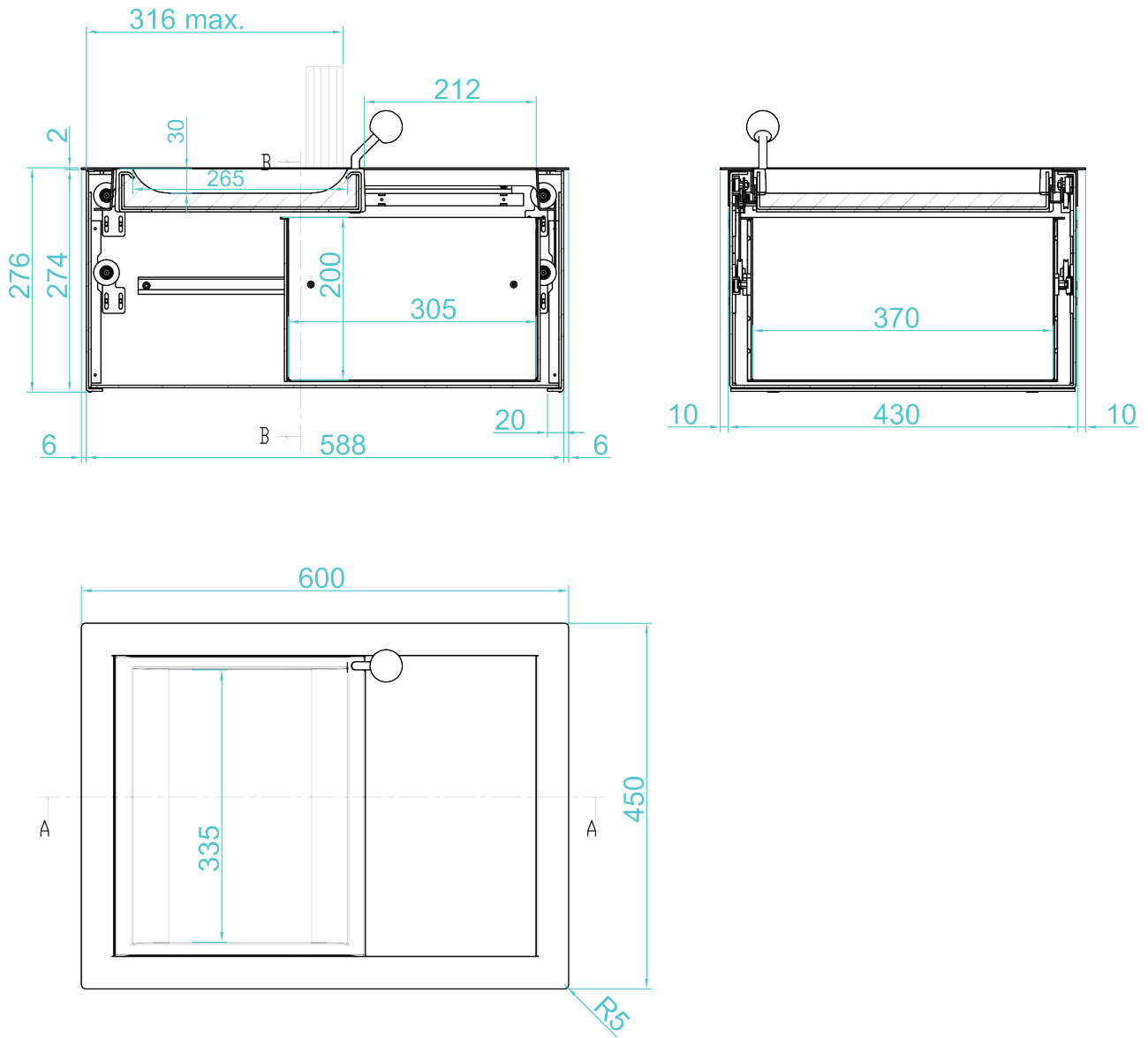
### Model 20-100



# MODELS 20 – 100 / 200 / 400 / FIRE- WALL 60 / FB7

## Technical specifications

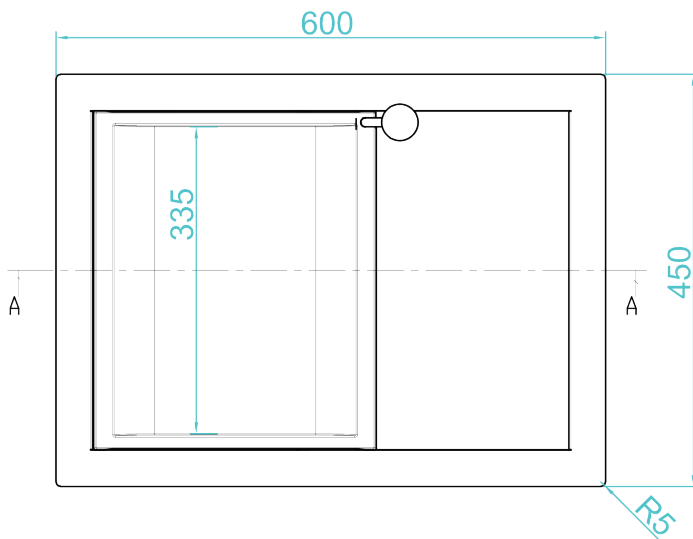
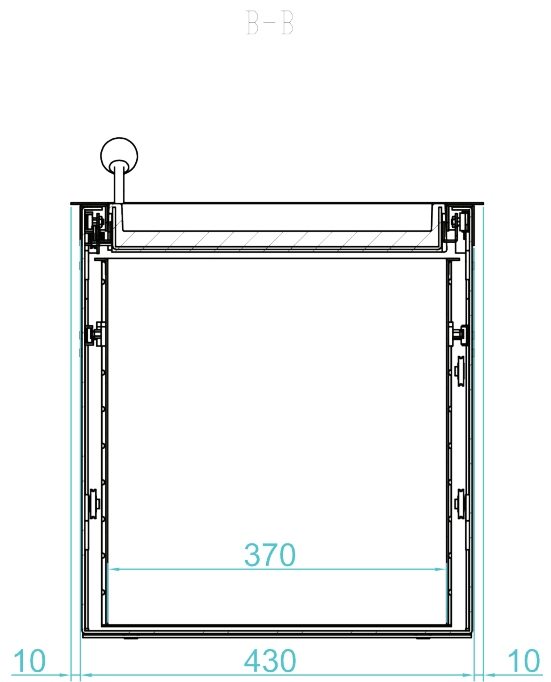
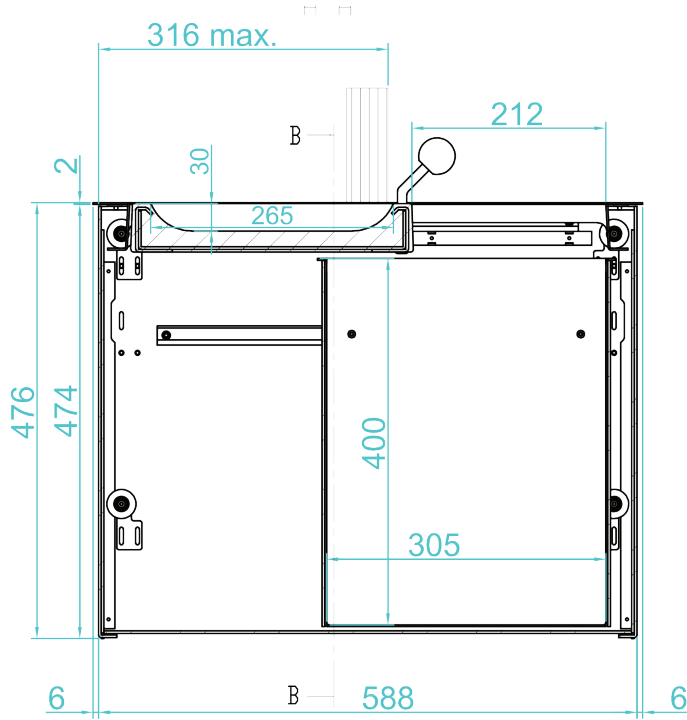
### Model 20-200



**MODELS 20 – 100 /  
200 / 400 / FIRE-  
WALL 60 / FB7**

**Technical specifications**

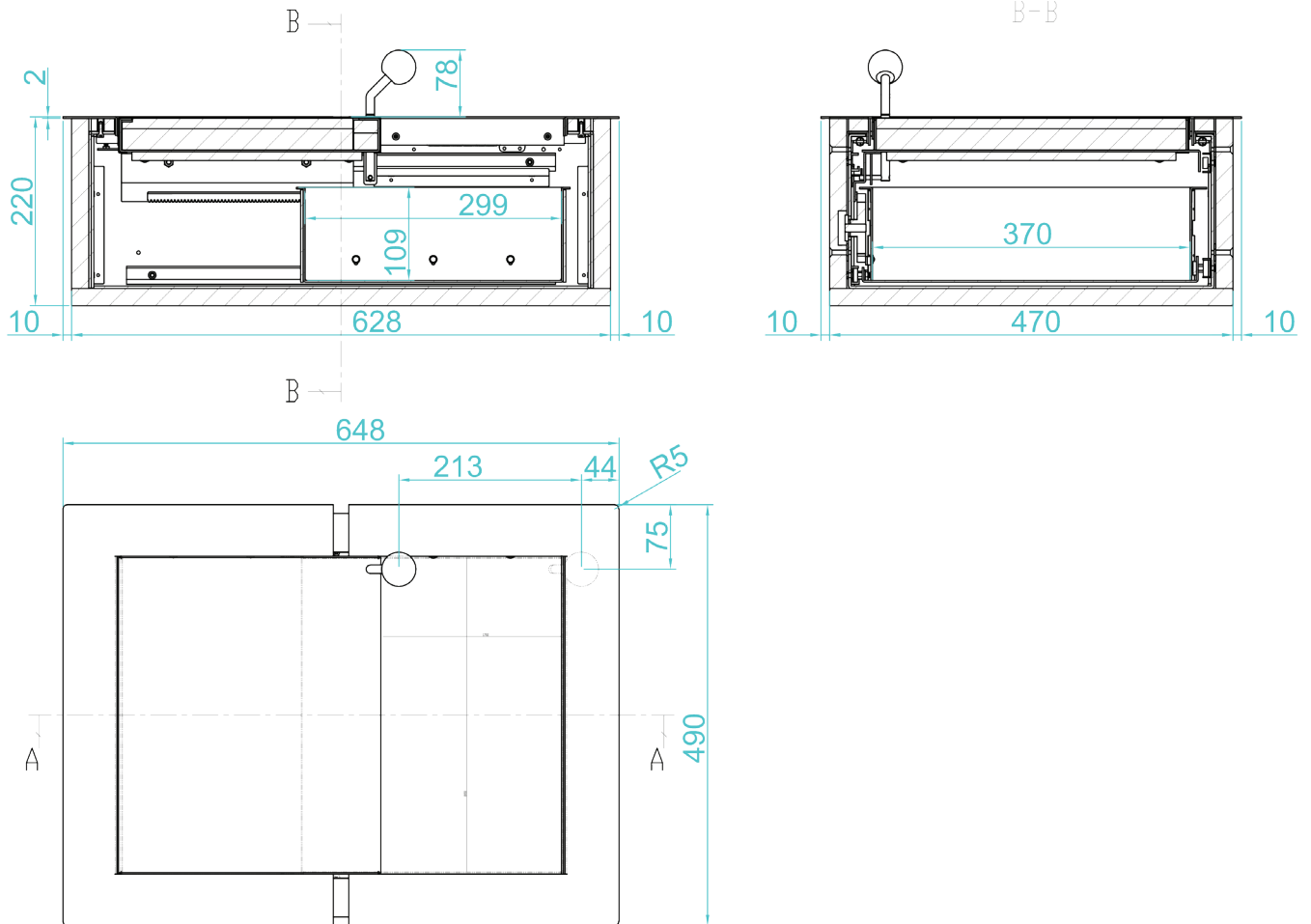
**Model 20-400**



# MODELS 20 – 100 / 200 / 400 / FIRE- WALL 60 / FB7

## Technical specifications

### Model 20 CF60



# MODELS 20 – 100 / 200 / 400 / FIRE- WALL 60 / FB7

## Technical specifications

### Model 20 FB7

